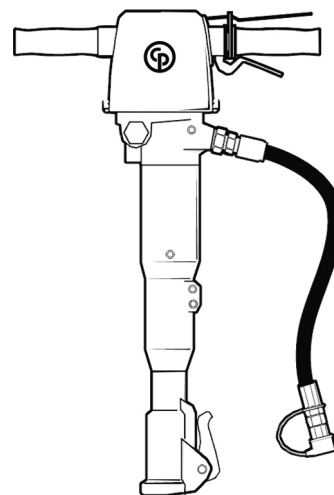


# **Spare parts list**

## **Handheld hydraulic breakers**

### **BRK 25 D**

	Valid from serial number
BRK 25 D	101744





# Contents

<b>General information</b> .....	5
<b>Spare parts list</b> .....	6
BRK 25 D.....	6
D-handle .....	10
<b>Tightening torque</b> .....	12
<b>Working tools</b> .....	13
US standard hexagon $\frac{7}{8}$ x $3\frac{1}{4}$ in. (22 x 82.5 mm).....	13
ISO standard hexagon 22 x 82.5 mm ( $\frac{7}{8}$ x $3\frac{1}{4}$ in.).....	14
<b>Accessories</b> .....	15
Hoses and couplings .....	15
<b>Kits</b> .....	16
Label kit .....	16
Seal kit.....	16
Trigger valve kit.....	17
Accumulator kit.....	18



## General information

This spare parts list applies to the following:

Part number	Description
1801 1746 12	Handheld hydraulic breaker BRK 25 D

Use only authorized parts. Any damage or malfunction caused by the use of unauthorized parts is not covered by Warranty or Product Liability. Any unauthorized use or copying of the contents or any part thereof is prohibited. This applies in particular to trademarks, model denominations, part numbers, and drawings.

### Instructions for use

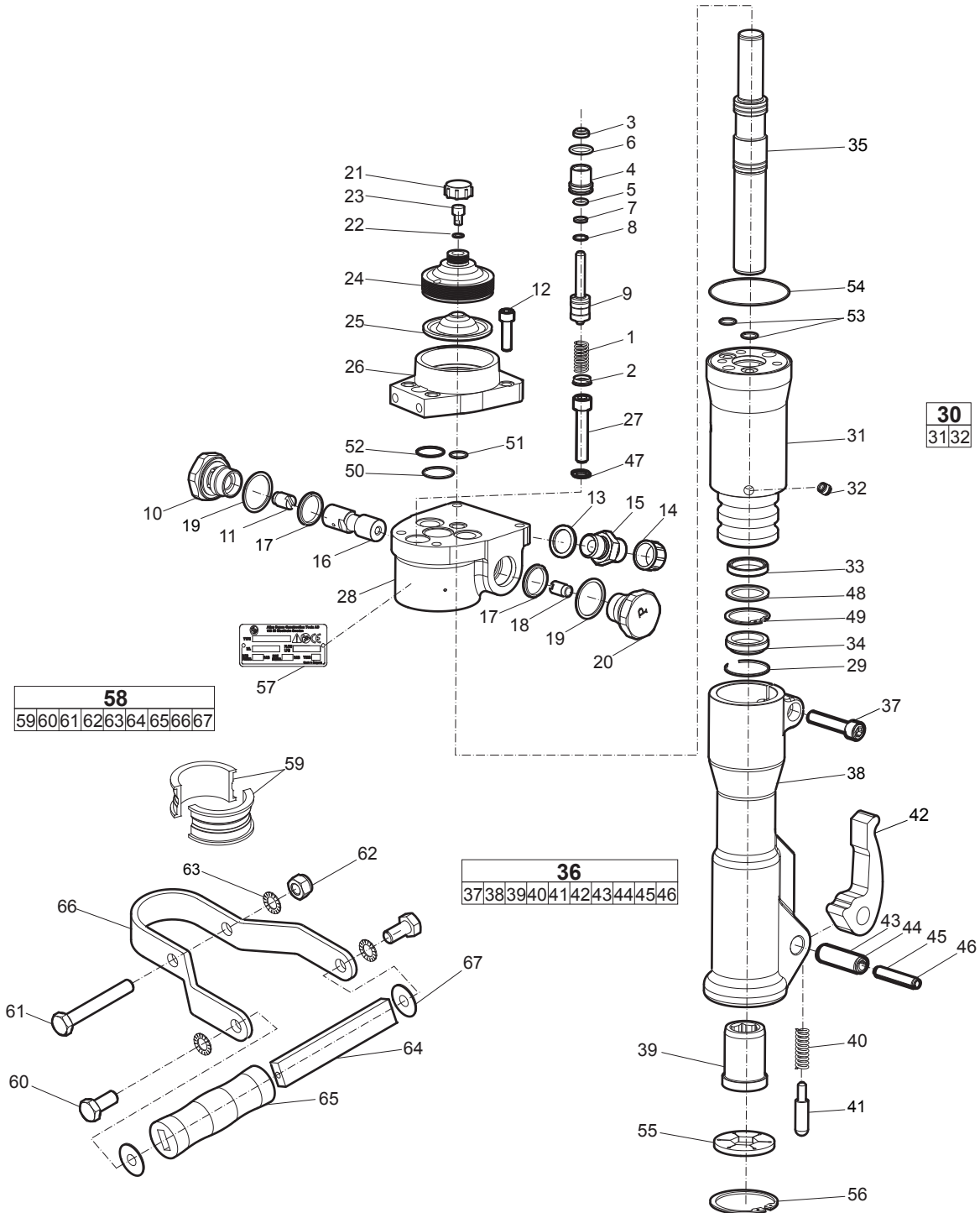
This spare parts list contains no safety regulations and is merely intended to assist in the ordering of spare parts.

For information about operating, servicing, or repairing, the relevant Safety and operating instructions must be consulted at all costs.

Please observe the safety instructions listed in the relevant Safety and operating instructions!

# Spare parts list

## BRK 25 D



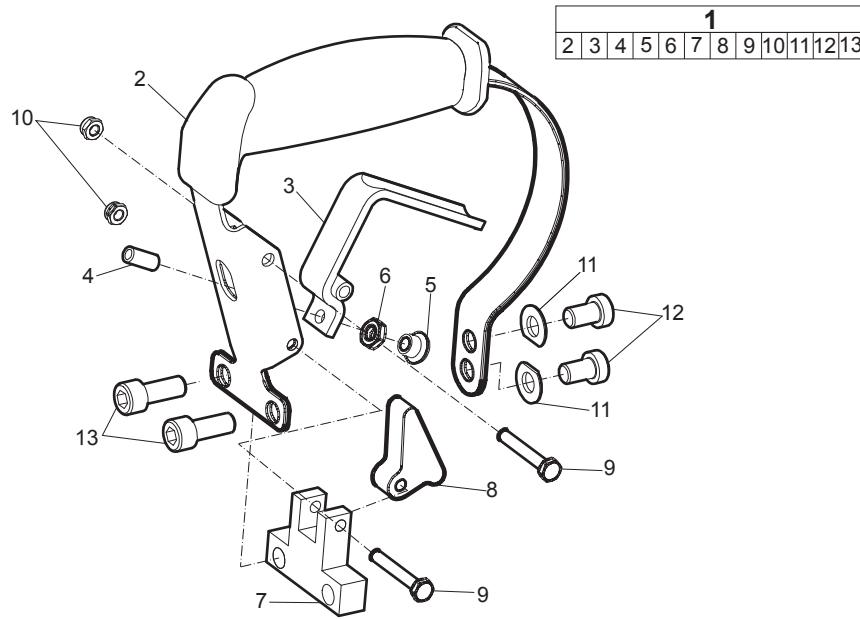
No.	Description	Remark	Quantity	Part number
1	Spring		1	3371 8141 63
2	Washer		1	3371 8147 52
3	Seal	Ø 0.31 x 0.55 x 0.14 x 0.20 in. Ø 8 x 14 x 3.5 x 5 mm	1	3371 8055 03
4	Packing gland		1	3371 8141 20
5	O-ring	Ø 0.33 x 0.09 in. Ø 8.3 x 2.4 mm	1	3371 8147 00
6	O-ring	Ø 0.64 x 0.09 in. Ø 16.3 x 2.4 mm	1	3371 8147 02
7	Back-up ring		1	3371 8147 01
8	Circlip		1	3371 8147 12
9	Trigger spool with rod		1	-
10	Guide socket T		1	3371 8141 16
11	Auxiliary spool T		1	3371 8141 15
12	Screw	M10 x 35 mm	4	3371 8147 23
13	Seal ring	½ in. BSP	2	3371 8057 14
14	Protective cap	½ in. BSP	2	3371 8137 09
15	Nipple	½ in. BSP	2	3371 8057 11
16	Spool		1	3371 8141 12
17	O-ring	Ø 0.95 x 0.12 in. Ø 24.2 x 3 mm	2	3371 8147 03
18	Auxiliary spool P		1	3371 8141 13
19	O-ring	Ø 1.30 x 0.08 in. Ø 33 x 2 mm	2	3371 8147 10
20	Guide socket P		1	3371 8141 14
21	Protective nut	M24 x 1.5 mm	1	3376 1170 71
22	Seal ring	Ø 0.34 x 0.51 x 0.04 in. Ø 8.7 x 13 x 1 mm	1	3371 8147 09
23	Charging screw		1	3371 8131 03
24	Accumulator cover		1	3371 8141 02
25	Diaphragm		1	3371 8140 52
26	Accumulator body		1	-
27	Screw	M10 x 50 mm	3	3371 8157 20
28	Valve housing	Plugged	1	3371 8141 08
29	Lock ring		1	3371 8157 38
<b>30(31-32)</b>	<b>Cylinder, complete</b>		1	3371 8141 24
31	Cylinder		1	-
32	Fitting		4	3371 8147 33
33	Seal		1	3371 8141 72
34	Wiper		1	3371 8147 07
35	Piston		1	3371 8141 25
<b>36(37-46)</b>	<b>Nose part, complete</b>		1	3371 8140 08
37	Screw	M10 x 50 mm	2	3371 8157 20
38	Nose part	Hexagon ¾ in. Hexagon 22 mm	1	-
39	Bushing	Hexagon ¾ in. Hexagon 22 mm	1	3371 8141 40
40	Spring		1	3371 8020 75
41	Lock pin		1	3371 8020 73
42	Latch		1	3371 8151 22
43	Roll pin	Ø 0.63 x 1.97 in. Ø 16 x 50 mm	1	3371 8157 30

No.	Description	Remark	Quantity	Part number
44	Roll pin	Ø 0.63 x 1.57 in. from serial no 101744 Ø 16 x 40 mm from serial no 101744	1	3371 8217 08
45	Roll pin	Ø 0.39 x 1.97 in. Ø 10 x 50 mm	1	3371 8157 31
46	Roll pin	Ø 0.39 x 1.57 in. from serial no 101744 Ø 10 x 40 mm from serial no 101744	1	3372 0050 12
47	Back-up washer		3	3371 8157 35
48	Back-up washer		1	3371 8141 69
49	Circlip		1	3371 8147 54
50	O-ring	Ø 0.98 x 0.06 in. Ø 25 x 1.5 mm	1	3371 8147 48
51	O-ring	Ø 0.51 x 0.06 in. Ø 13 x 1.5 mm	1	3371 8147 49
52	O-ring	Ø 0.87 x 0.06 in. Ø 22 x 1.5 mm	2	3371 8207 06
53	O-ring	Ø 0.47 x 0.06 in. Ø 12 x 1.5 mm	2	3371 8147 50
54	O-ring	Ø 2.72 x 0.06 in. Ø 69 x 1.5 mm	1	3371 8147 51
55	Chisel bellows		1	3371 8141 81
56	Circlip	Ø 2.24 x 0.08 in. Ø 57 x 2 mm	1	3371 8207 36
57	Data plate		1	-
<b>58(59-67)</b>	<b>Front handle, complete</b>	Optional	1	3371 8010 40
59	Sector		2	3371 8141 87
60	Bolt	M10 x 20 mm	2	3371 8157 22
61	Screw	M10 x 70 mm	1	3371 8147 41
62	Nut	M10	1	3371 8067 02
63	Washer		3	3371 8147 43
64	Handle		1	-
65	Rubber handle		1	3371 8221 08
66	Bow		1	3371 8141 73
67	Washer	¾ in. 9.5 mm	2	3377 1040 10





# D-handle



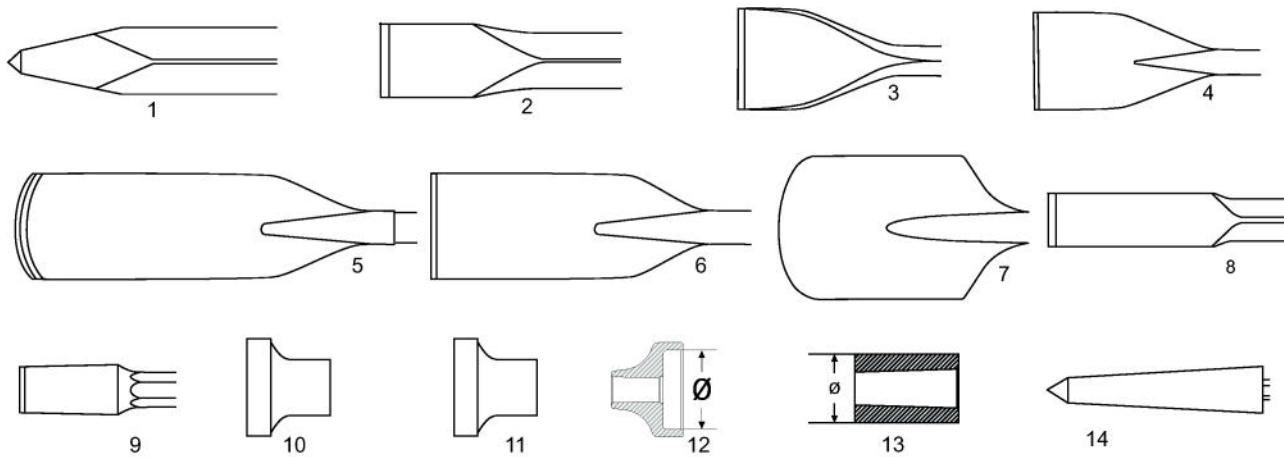
No.	Description	Remark	Quantity	Part number
1(2-13)	D-handle, complete		1	3371 8140 62
2	D-handle		1	-
3	Trigger lever		1	3371 8220 02
4	Screw	M8 x 30 mm	1	3377 1220 08
5	Thrust pad		1	3371 8221 05
6	Nut	M8	1	3371 8207 22
7	Backstop		1	3371 8221 04
8	Trigger pawl		1	3371 8201 31
9	Screw	M6 x 40 mm	2	3371 8227 01
10	Nut	M6	2	3371 8147 16
11	Washer	DIN 125	2	3371 8141 34
12	Screw	M10 x 16 mm	2	3371 8147 21
13	Screw	M10 x 25 mm	2	3376 1000 01

## Tightening torque

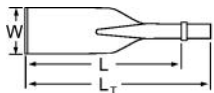
Description	Tightening torque (Nm)	Remark	Part number
Guide socket T	100	Loctite® 245™	3371 8141 16
Screw	70	Loctite® 245™	3371 8147 23
Nipple	30	-	3371 8057 11
Guide socket P	100	Loctite® 245™	3371 8141 14
Screw	80	Loctite® 245™	3371 8157 20
Screw	80	Loctite® 245™	3371 8157 20
Bushing	-	Loctite® 275™	3371 8141 40
Screw	-	Loctite® 245™	3377 1220 08

Loctite is a registered trademark of Henkel Corporation. 245 and 275 are trademarks of Henkel Corporation.

## Working tools



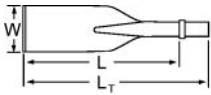
### US standard hexagon $\frac{7}{8} \times 3\frac{1}{4}$ in. (22 x 82.5 mm)



Flat to flat

No.	Description	W (in.)	L (in.)	L <sub>T</sub> (in.)	Wt (lb)	Part number
1	Moil point	-	14	18	3.3	3083 4050 00
		-	18	21	4.0	3083 4050 10
		-	24	28	5.1	3083 4050 20
		-	36	40	7.3	3083 4050 30
2	Narrow chisel	-	14	18	3.5	3083 3303 00
		-	24	28	5.1	3083 3304 00
		-	18	21	4.0	3083 4051 10
		-	36	40	7.3	3083 4051 30
3	Wide chisel	3	14	18	4.6	3083 3305 00
		3	18	21	4.4	3083 4052 10
		3	24	28	5.5	3083 4052 20
		3	36	40	7.7	3083 4052 30
4	Asphalt cutter	5	12	16	6.2	3083 4053 00
5	Digging chisel	3	14	18	7.1	3083 3306 00
6	Digging spade	5	13	17	8.6	3083 3307 00
7	Clay spade	5	17	21	8.4	3083 3308 00
8	Frost wedge	1	15	19	5.5	3083 4057 00
9	Shaft for tamping pad	-	8	12	2.9	3083 4058 00
10	Tamping pad, round	7	-	-	16.8	3083 3252 10
11	Tamping pad, square	7	-	-	13.4	3083 3239 00
12	Driver pad, round	4	-	-	5.7	9245 2817 90
		3	-	-	4.2	3371 8060 12
14	Posthole pad	2	-	-	6.0	9245 2822 30

## ISO standard hexagon 22 x 82.5 mm ( $\frac{7}{8}$ x 3 $\frac{1}{4}$ in.)



Point to flat

No.	Description	W (mm)	L (mm)	L <sub>T</sub> (mm)	Wt (kg)	Part number
1	Moil point	-	380	475	1.6	3083 3242 00
		-	1000	1095	3.6	3083 3243 00
2	Narrow chisel	-	380	475	1.6	3083 3244 00
		-	1000	1095	3.6	3083 3245 00
3	Wide chisel	75	380	475	2.2	3083 3246 00
4	Asphalt cutter	125	380	475	3.0	3083 3069 00
5	Digging chisel	75	450	545	3.3	3083 3247 00
6	Digging spade	120	400	495	3.8	3083 3248 00
7	Clay spade	125	430	525	3.7	3083 3249 00
8	Frost wedge	35	380	475	2.3	3083 3250 00
9	Shaft for tamping pad	-	310	405	1.7	3083 3251 00
10	Tamping pad, round	175	-	-	7.6	3083 3252 10
11	Tamping pad, square	175	-	-	6.1	3083 3239 00
12	Driver pad, round	65	-	-	1.9	3317 8060 12
		100	-	-	2.6	9245 2817 90
14	Posthole pad	40	-	-	2.7	9245 2822 30

# Accessories

## Hoses and couplings

Description	Remark	Quantity	Part number
<b>Connection hose, complete</b>	Ø ¾ in. L = 63 in. Ø 9.5 mm L = 1.6 m	1	3371 8011 89
Hose	Ø ¾ in. L = 63 in. Ø 9.5 mm L = 1.6 m	2	3371 8030 75
Seal ring	Bonded seal ½ in. BSP	2	3371 8057 14
Quick-release coupling	Female ½ in. BSP	1	3371 8051 33
Quick-release coupling	Male ½ in. BSP	1	3371 8051 34
Protective cap	Female	1	3371 8057 33
Protective cap	Male	1	3371 8057 32
<b>Twin hose, complete</b>	Ø ½ in. L = 276 in. Ø 12.5 mm L = 7 m	1	3371 8010 87
Seal ring	Bonded seal ½ in. BSP	4	3371 8057 14
Quick-release coupling	Female ½ in. BSP	2	3371 8051 33
Quick-release coupling	Male ½ in. BSP	2	3371 8051 34
Protective cap	Female	2	3371 8057 33
Protective cap	Male	2	3371 8057 32
Twin hose	Ø ½ in. L = 276 in. Ø 12.5 mm L = 7 m	1	3371 8030 52

# Kits

## Label kit

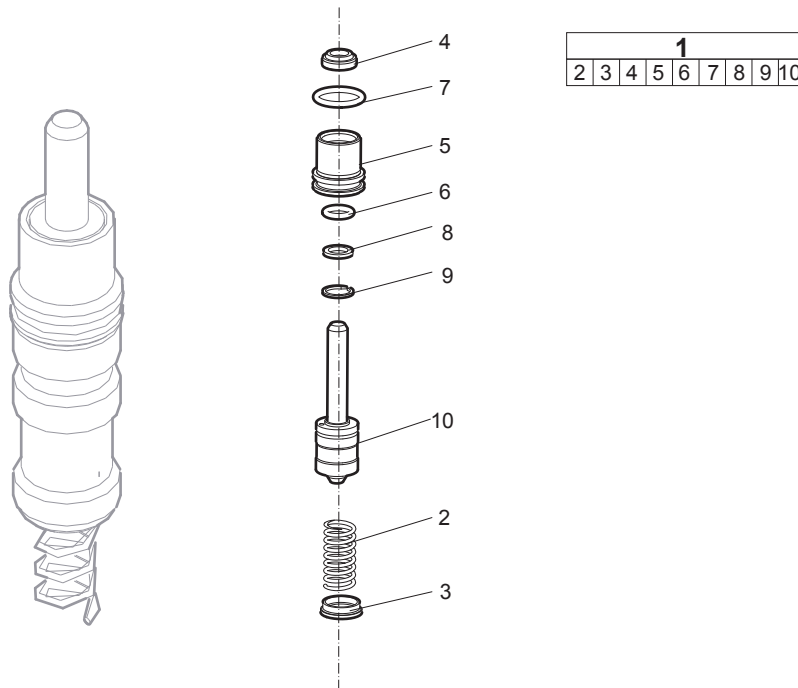
Description	Remark	Quantity	Part number
<b>Label kit</b>		1	3371 8210 91
Shank size	"Shank size 22 x 82.5"	1	3371 8021 11
Product label	"BRK 25 D"	1	-
Safety label		1	3371 8960 61
Product label	"CP"	1	3371 8971 56
Noise level label		1	-
EHTMA Category C	"20 lpm"	1	3371 8960 47
Pressure charge		1	3371 8960 62

## Seal kit

Description	Remark	Quantity	Part number
<b>Seal kit</b>		1	3371 8140 57
Seal	Ø 0.31 x 0.55 x 0.14 x 0.20 in. Ø 8 x 14 x 3.5 x 5 mm	1	3371 8055 03
O-ring	Ø 0.33 x 0.09 in. Ø 8.3 x 2.4 mm	1	3371 8147 00
O-ring	Ø 0.64 x 0.09 in. Ø 16.3 x 2.4 mm	1	3371 8147 02
Back-up ring		1	3371 8147 01
Circlip		1	3371 8147 12
Seal ring	½ in. BSP	2	3371 8057 14
O-ring	Ø 0.95 x 0.12 in. Ø 24.2 x 3 mm	2	3371 8147 03
O-ring	Ø 1.30 x 0.08 in. Ø 33 x 2 mm	2	3371 8147 10
Seal ring	Ø 0.34 X 0.51 x 0.04 in. Ø 8.7 X 13 x 1 mm	1	3371 8147 09
Lock ring		1	3371 8157 38
Circlip		1	3371 8147 54
O-ring	Ø 0.98 x 0.06 in. Ø 25 x 1.5 mm	1	3371 8147 48
O-ring	Ø 0.51 x 0.06 in. Ø 13 x 1.5 mm	1	3371 8147 49
O-ring	Ø 0.87 x 0.06 in. Ø 22 x 1.5 mm	2	3371 8207 06
O-ring	Ø 0.47 x 0.06 in. Ø 12 x 1.5 mm	2	3371 8147 50
O-ring	Ø 2.72 x 0.06 in. Ø 69 x 1.5 mm	1	3371 8147 51



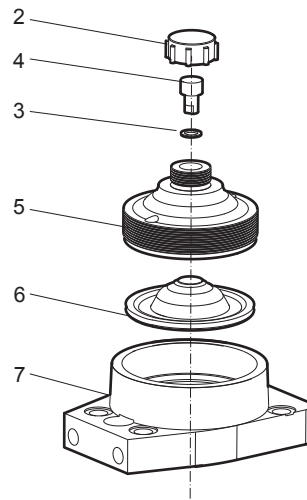
## Trigger valve kit



No.	Description	Remark	Quantity	Part number
1(2-10)	Trigger valve kit		1	3371 8140 58
2	Spring		1	3371 8141 63
3	Washer		1	3371 8147 52
4	Seal		1	3371 8055 03
5	Packing gland		1	3371 8141 20
6	O-ring		1	3371 8147 00
7	O-ring		1	3371 8147 02
8	Back-up ring		1	3371 8147 01
9	Circlip		1	3371 8147 12
10	Trigger spool with rod		1	3371 8200 71

# Accumulator kit

<b>1</b>						
2	3	4	5	6	7	



No.	Description	Remark	Quantity	Part number
1(2-7)	Accumulator kit		1	3371 8140 51
2	Protective cap		1	3376 1170 71
3	Seal ring	Ø 0.34 x 0.51 x 0.04 in. Ø 8.7 x 13 x 1 mm	1	3371 8147 09
4	Charging screw		1	3371 8131 03
5	Accumulator cover		1	3371 8141 02
6	Diaphragm		1	3371 8140 52
7	Accumulator body		1	3371 8141 04



