



Spare parts list

Hydraulic Cut-off Saws with Cart

SAW 14, SAW 16





2008-06

No. 3392 5157 01

© Copyright Chicago Pneumatic Construction Tools
STOCKHOLM • SWEDEN



Introduction

Welcome! Protect your investment in the world's finest hydraulic tools. Use genuine CP replacement parts.

The purchase of replacement parts for your CP tools deserves the same good judgment that resulted in the purchase of the tools themselves. Each genuine CP part is made from carefully selected and inspected material, subjected to sophisticated machinery and finishing processes and heat-treated to produce just the right combination of hardness, ductility and impact resistance for its intended use. Each part is identical to, and made concurrently with, parts used in production tools.

The use of parts other than genuine CP replacement parts can lead to substandard performance, early failure, possible damage of other parts and, in some instances, unsafe conditions.

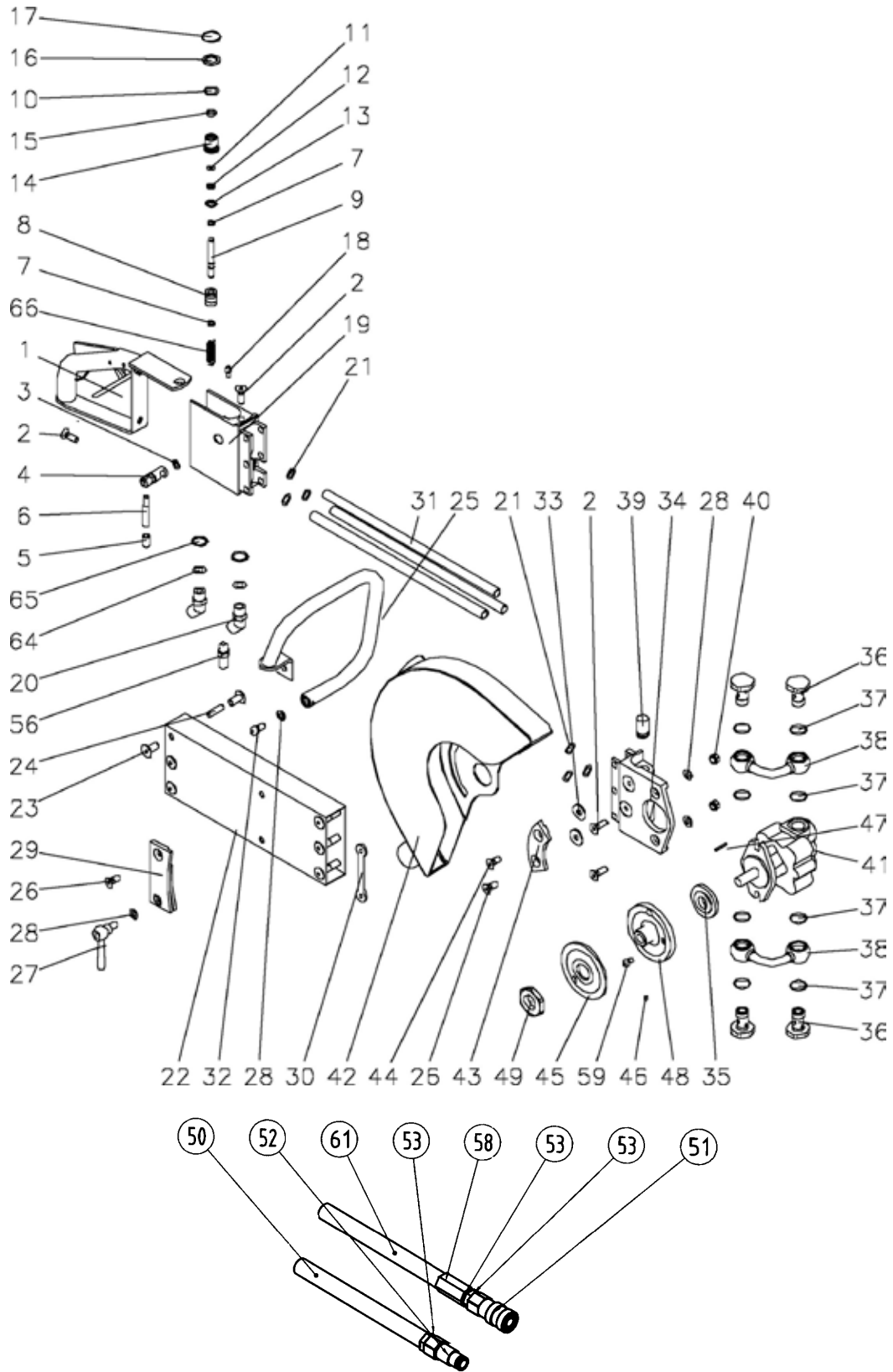
Use only authorized parts. Any damage or malfunction caused by unauthorized parts will not be covered by the Warranty or Product Liability.

Any machine modification not approved by Chicago Pneumatics may result in serious injuries to yourself or others.

To reduce the risk of injury, read and understand the relevant safety and operating instructions before operating the machine.

Before undertaking any maintenance or changing the working tool on hydraulic machines, always switch off the hydraulic oil supply and bleed the machine by activating the start and stop device. Then disconnect the hydraulic hose from the machine.

The CP SAW 14 and SAW 16 hydraulic cut-off saws are powerful, light and compact machines designed for cutting through concrete, asphalt and steel with cutting blades for both dry and wet cutting.



A



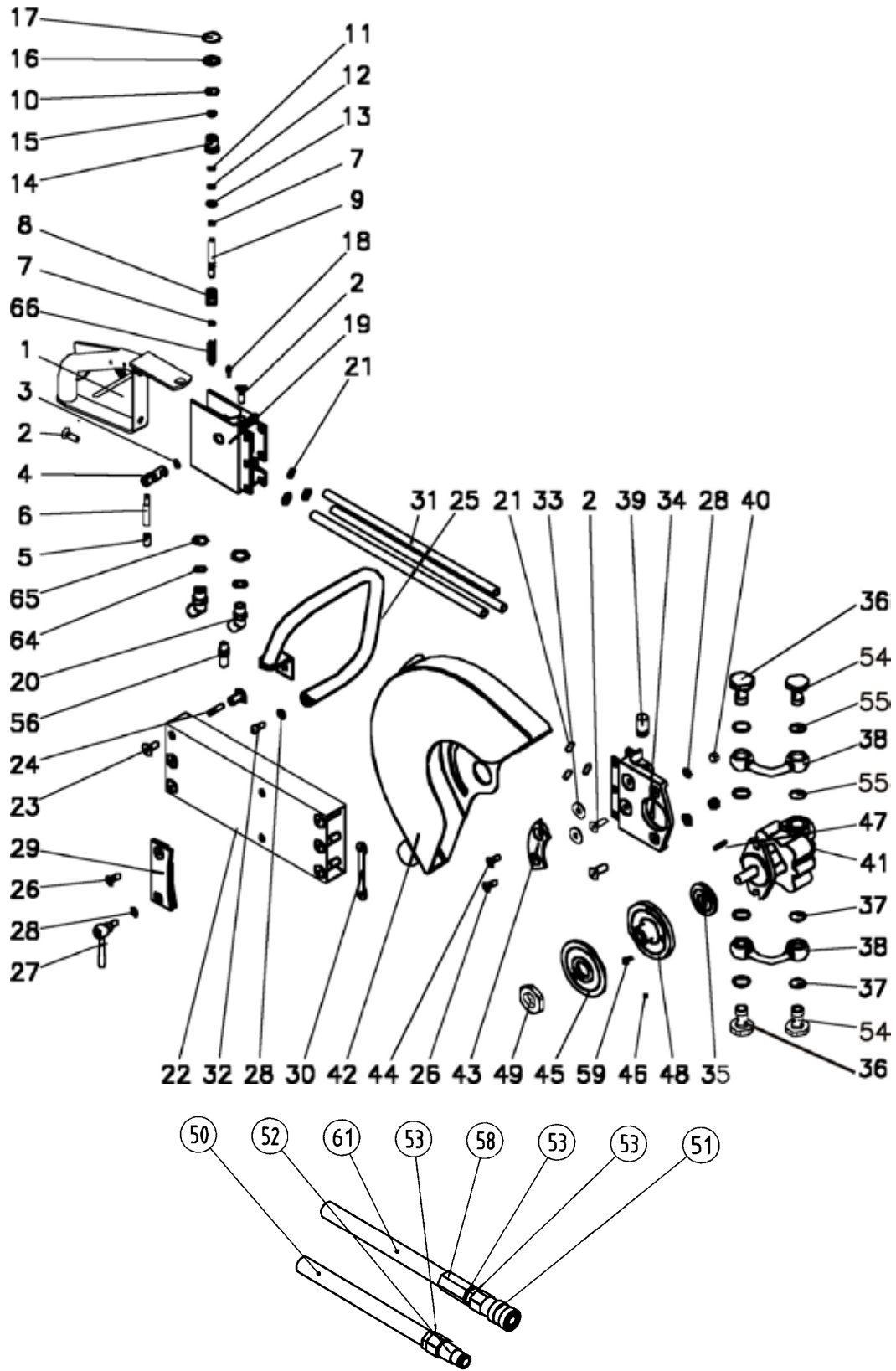
SAW 14

No.	Part Number	Quantity	Description
1	3371 8090 03	1	Grip complete
2	3371 8097 06	2	Screw M8x25
3	3371 8097 29	1	O-ring $\varnothing 11 \times 2$
4	3371 8091 05	1	Water valve
5	3371 8177 66	1	Tip $\varnothing 8$, black
6	3371 8177 67	1	Roll pin $\varnothing 8 \times 50$
7	3371 8147 32	2	Circlip SW 8
8	3371 8141 61	1	Trigger spool
9	3371 8151 66	1	Trigger rod
10	3371 8147 02	1	O-ring $\varnothing 16.3 \times 2.4$
11	3371 8147 00	1	O-ring $\varnothing 8.3 \times 2.4$
12	3371 8147 01	1	Back-up ring $\varnothing 8/12 \times 1.5$
13	3371 8147 12	1	Circlip SB 12
14	3371 8141 20	1	Packing gland
15	3371 8055 03	1	Seal $\varnothing 8/14 \times 3.5/5$
16	3371 8097 00	1	Back-up washer $\varnothing 18/25 \times 1.5$
17	3371 8097 01	1	Circlip SB 25
18	3371 8177 28	1	Screw M6x10
19	3371 8091 26	1	Valve block
20	3371 8097 30	2	Nipple $\frac{3}{8}$ " BSP $\frac{3}{4}$ " UNF 45° elbow
21	3371 8187 05	6	O-ring $\varnothing 14 \times 2$
22	3371 8091 19	1	Frame For SAW 14
23	3371 8097 03	12	Bushing M8x20, stainless
24	3377 1220 08	6	Screw M8x30
25	3371 8090 27	1	Front handle Bow with rubber coating
26	3371 8097 05	2	Screw M8x20
27	3371 8097 11	1	Clamp screw Assembly
28	3377 0004 69	4	Washer $\varnothing 8$
29	3371 8091 30	1	Brake shoe
30	3371 8091 01	1	Fastening plate
31	3371 8091 45	3	Hydraulic tube $\varnothing 14 \times 1.5$
32	3371 8055 04	1	Screw M8x16
33	3371 8097 10	2	Washer $\varnothing 8.4/24 \times 2$, nylon

A



No.	Part Number	Quantity	Description
34	3371 8091 17	1	Motor flange
35	3371 8091 22	1	Washer For motor flange
36	3371 8091 48	4	Banjo bolt ¾" UNF
37	3371 8207 06	8	O-ring ø22x1.5
38	3371 8091 23	2	Banjo elbow
39	3371 8097 32	1	Check valve 6 bar
40	3377 1110 08	2	Nut M8
41	3378 0590 79	1	Hydraulic motor MGG 20, finished
42	3371 8091 18	1	Guard complete For SAW 14
43	3371 8091 07	1	Guard retainer
44	3371 8091 56	1	Screw M8x20, finished
45	3371 8091 15	1	Washer For adaptor
46	3378 0003 60	1	Screw M5x6
47	3371 8097 31	1	Parallel key For MGG motor
48	3371 8091 16	1	Adaptor For 14"/16" discs
49	3371 8091 27	1	Counter nut 1" UNF - left
50	3371 8090 21	1	Tail hose 2.0 m ¾"
51	3371 8051 37	1	Quick-release coupling 06 female
52	3371 8051 38	1	Quick-release coupling 06 male
53	3377 0163 75	2	Seal ring Bonded seal ¾" BSP
56	3371 8097 46	1	Hose fitting ¼" BSP M – ½" Hose
57	3371 8097 47	1	Tip ø38
59	3371 8097 12	1	Screw M6x6
60	3371 8097 50	1	Tip ø13
61	3371 8090 21	1	Tail hose 2.0 m ¾"
64	3371 8051 09	2	O-ring ø13.95x2.62
66	3371 8141 63	1	Spring For trigger valve
	3371 8096 00	1	Wrench HEX 41, completion
67	3378 0999 07		Seal kit For MGG Motor
	3371 8090 10		Seal kit Incl. fig. No. 3, 7, 10-13, 15-17, 21, 37, 64, 67
	3371 8140 58		Trigger complete Incl. fig. No. 7-15, 66



B

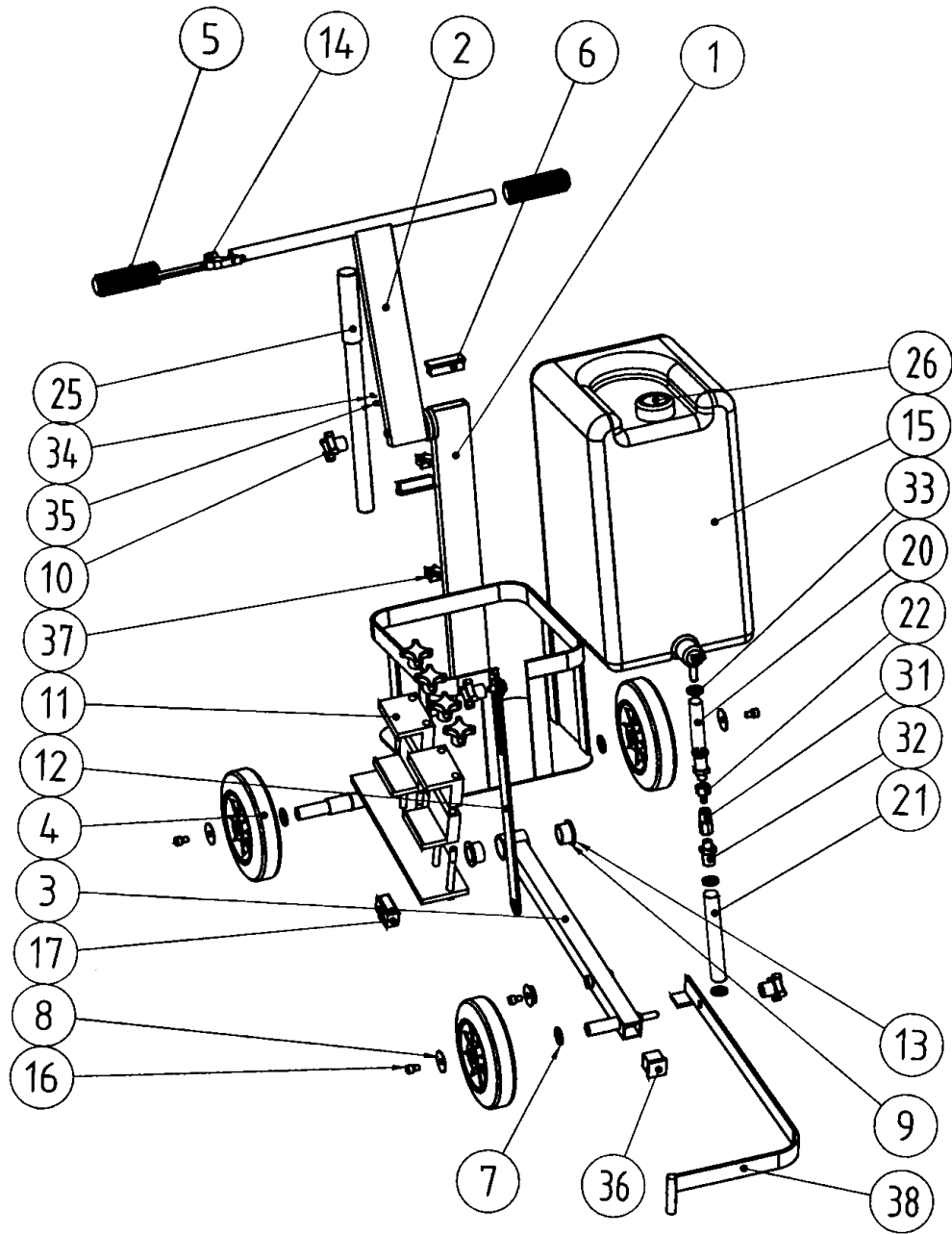


SAW 16

No.	Part Number	Quantity	Description
1	3371 8090 03	1	Grip complete
2	3371 8097 06	2	Screw M8x25
3	3371 8097 29	1	O-ring $\varnothing 11 \times 2$
4	3371 8091 05	1	Water valve
5	3371 8177 66	1	Tip $\varnothing 8$, black
6	3371 8177 67	1	Roll pin $\varnothing 8 \times 50$
7	3371 8147 32	2	Circlip SW 8
8	3371 8141 61	1	Trigger spool
9	3371 8151 66	1	Trigger rod
10	3371 8147 02	1	O-ring $\varnothing 16.3 \times 2.4$
11	3371 8147 00	1	O-ring $\varnothing 8.3 \times 2.4$
12	3371 8147 01	1	Back-up ring $\varnothing 8/12 \times 1.5$
13	3371 8147 12	1	Circlip SB 12
14	3371 8141 20	1	Packing gland
15	3371 8055 03	1	Seal $\varnothing 8/14 \times 3.5/5$
16	3371 8097 00	1	Back-up washer $\varnothing 18/25 \times 1.5$
17	3371 8097 01	1	Circlip SB 25
18	3371 8177 28	1	Screw M6x10
19	3371 8091 26	1	Valve block
20	3371 8097 30	2	Nipple $\frac{3}{8}$ " BSP $\frac{3}{4}$ " UNF 45° elbow
21	3371 8187 05	6	O-ring $\varnothing 14 \times 2$
22	3371 8091 60	1	Frame For SAW 16
23	3371 8097 03	12	Bushing M8x20, stainless
24	3377 1220 08	6	Screw M8x30
25	3371 8090 27	1	Front handle Bow with rubber coating
26	3371 8097 05	2	Screw M8x20
27	3371 8097 11	1	Clamp screw Assembly
28	3377 0004 69	4	Washer $\varnothing 8$
29	3371 8091 30	1	Brake shoe
30	3371 8091 01	1	Fastening plate
31	3371 8091 61	3	Hydraulic tube $\varnothing 14 \times 1.5$
32	3371 8055 04	1	Screw M8x16
33	3371 8097 10	2	Washer $\varnothing 8.4/24 \times 2$, nylon



No.	Part Number	Quantity	Description
34	3371 8091 17	1	Motor flange
35	3371 8091 22	1	Washer For motor flange
36	3371 8091 48	2	Banjo bolt ¾" UNF
37	3371 8207 06	4	O-ring ø22x1.5
38	3371 8091 63	2	Banjo elbow
39	3371 8097 32	1	Check valve 6 bar
40	3377 1110 08	2	Nut M8
41	3371 8092 24	1	Hydraulic motor MGG 25, finished
42	3371 8091 41	1	Guard complete For SAW 16
43	3371 8091 07	1	Guard retainer
44	3371 8091 56	1	Screw M8x20, finished
45	3371 8091 15	1	Washer For adaptor
46	3378 0003 60	1	Screw M5x6
47	3371 8097 31	1	Parallel key For MGG motor
48	3371 8091 16	1	Adaptor For 14"/16" discs
49	3371 8091 27	1	Counter nut 1" UNF - left
50	3371 8090 21	1	Tail hose 2.0 m ¾"
51	3371 8051 37	1	Quick-release coupling 06 female
52	3371 8051 38	1	Quick-release coupling 06 male
53	3377 0163 75	2	Seal ring Bonded seal ¾" BSP
54	3371 8091 65	2	Banjo bolt ⅞" UNF
55	3371 8147 48	4	O-ring ø25x1.5
56	3371 8097 46	1	Hose fitting ¼" BSP M – ½" hose
57	3371 8097 47	1	Tip ø38
59	3371 8097 12	1	Screw M6x6
60	3371 8097 50	1	Tip ø13
61	3371 8090 21	1	Tail hose 2.0 m ¾"
64	3371 8051 09	2	O-ring ø13.95x2.62
66	3371 8141 63	1	Spring For trigger valve
-	3371 8096 00	1	Wrench HEX 41, completion
67	3378 0999 07		Seal kit For MGG Motor
-	3371 8090 11		Seal kit Incl. fig. No. 3, 7, 10-13, 15-17, 21, 37, 55, 64, 67
-	3371 8140 58		Trigger complete Incl. fig. No. 7-15, 66



C



Cart for SAW 14 and SAW 16

No.	Part number	Quantity	Description
1	3371 8090 23	1	Cart frame
2	3371 8090 25	1	Handle frame
3	3371 8090 24	1	Arm
4	3371 8097 17	3	Wheel ø180
5	3377 0053 07	2	Rubber handle
6	3371 8097 13	2	Plastic tip 60x20
7	3371 8097 14	4	Washer ø20/28x1
8	3371 8097 15	4	Washer ø5/16"x35x1.25
9	3371 8097 16	2	Nylon bushing RI 5070
10	3371 8097 18	7	Cross grip M10
11	3371 8092 08	4	Clip Plastic
12	3371 8092 29	1	Adjusting arm With ruler
13	3371 8097 20	2	Circlip ø25x1.2
14	3371 8097 21	1	Trigger Bicycle type
15	3371 8097 22	1	Water tank
16	3378 3025 16	4	Screw M8x10
17	3371 8090 05	1	Cable complete
20	3371 8092 25	1	Hose 80 mm, ½" rubber
21	3371 8092 26	1	Hose 375 mm, ½" rubber
22	3371 8097 44	1	Quick-release coupling 04 male
25	3371 8097 38	1	Air pump Bicycle type
26	3371 8097 39	1	Air valve
31	3378 0590 93	1	Quick-release coupling 04 female
32	3371 8097 46	2	Hose fitting ¼" BSPT M - ½" hose
33	3377 0004 28	4	Hose clip ø13/20
34	3371 8157 39	3	Screw M3x6
35	3371 8097 54	1	Cable bow NX 1
36	3371 8097 51	1	Plastic tip 30x30
37	3371 8097 58	2	Spring clip
38	3371 8090 30	1	Steering rod



2008-06

No. 3392 5157 01

© Copyright Chicago Pneumatic Construction Tools
STOCKHOLM • SWEDEN

Chicago Pneumatic Construction Tools